



SAURA № K 3074

# SAURA THE BEST MAGNETIC COMPASS

## SR-165



### Class A Magnetic Compass (IMO/MED)

Saura SR-165 is a Reflector Magnetic Compass designed for sea navigation, complying with the relevant IMO and other major Authority requirements.

#### COMPASS BOWL

- Precision directional unit design; card dia. 165mm
- Pivot bearings: made of platinum-iridium and sapphire
- Long lasting inner paint finish, without blister, cracks or discoloring over a long period of time
- Unique bowl design to absorb liquid expansion for leakage and air bubble free operation

#### BINNACLE STAND

- Full deviation correcting facility for B, C and Heeling error compensation, Quadrantal correctors and Flinders bars
- Illumination of compass card with dimmer control
- Dual current power supply: 24VDC & 220 (100/110)VAC
- Light in weight for ease of shipyard installation

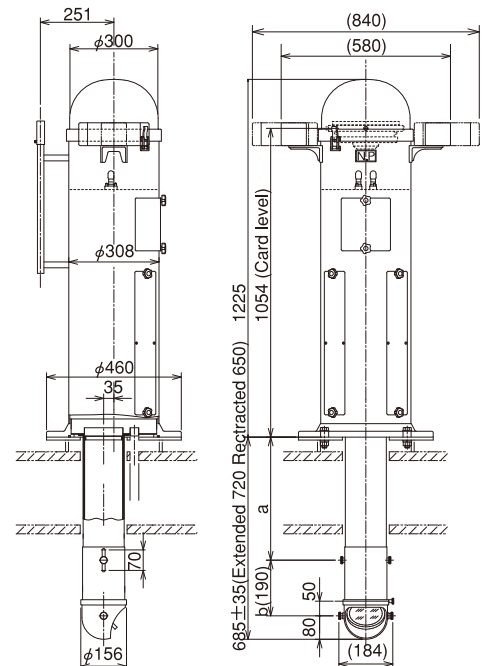
#### PERISCOPE

- Telescopic length of 680mm as standard with vertical adjustable length  $\pm 35$ mm. Its length is determined by  $a+b$  (190mm) + 80mm. Longer telescopic is available on request.

#### INTERNATIONAL TYPE APPROVAL CERTIFICATION

- Type approved to MED and other maritime Authorities; DOT, CCS, RMRS

Standard Specifications	
Type of compass	Reflector compass
Compass bowl	card dia 165mm
Binnacle stand	with top cover
Periscope (a + b)	680mm $\pm 35$ mm as standard
Dimmer control	24VDC and 220 (100/110)VAC
Standard Accessories	
Correcting magnets for B, C and H	10 x strong & 6 x weak
Quadrantal correctors	10 x permalloy plates
Flinders bars	5 x Flinders bars
Shadow pin	Long & short ones with pin stand
Cover sheet	with tie down strings
Installation materials	Gasket, bolts and nuts



Periscope/Viewing mirror



## Optional Accessories

Azimuth Reading Device



Spare Compass Bowl



TMC Sensor



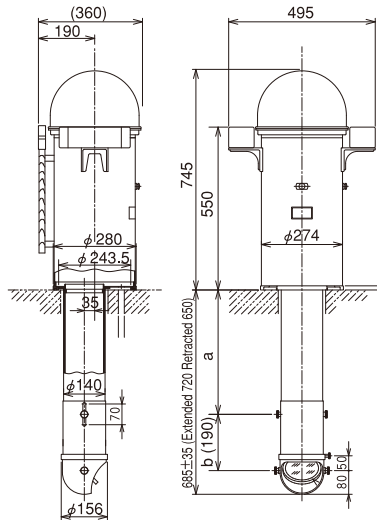
Repeater Compass



# Reflector Compass

FOR COMMERCIAL VESSELS & WORK/FISHING BOATS

## MR-150 & MR-165C

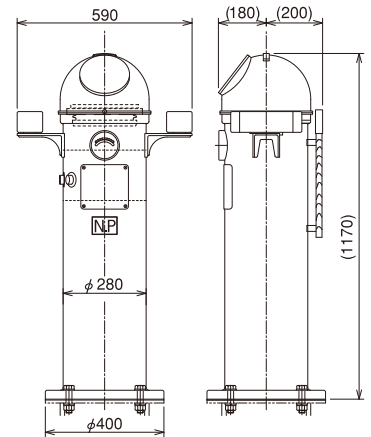


Periscope/Viewing mirror



Azimuth Circle / AC-02

## S-165 III Binnacle Stand Compass



Model	MR-150	MR-165C	S-165 III
Type of compass	Reflector compass	Reflector compass	Binnacle stand compass
Compass bowl	card dia 150mm	card dia 165mm	card dia. 165mm
Binnacle stand	with top cover		
Periscope/optics	680mm ±35mm		n/a
Dimmer control	24VDC	24VDC & 220 VAC	24VDC & 220VAC
Type approval	DOT, RRR	CCS	DOT, RRR
<b>Standard Accessories</b>			
Deviation correctors	B, C, Heeling, Quadrantal corrector, flinders bar		
Correcting magnets	10 pcs x 6mm dia. by 17mm 6 pcs x 6mm dia. by 45mm		7 pcs x 6 by 35mm 8 pcs x 6 by 45mm
Quadrantal Correctors	10 x pure iron plates		10 x pure iron plates
Flinder's bars	5 x Flinders bars		5 x Flinders bars
Shadow pins	Long and short with pin stand		Long and short with pin stand
Cover sheet	with tie down strings		n/a
Installation materials	Gasket, bolts and nuts		Gasket, bolts and nuts

# Steering Compass

FOR COASTAL NAVIGATION

## T-150IIF

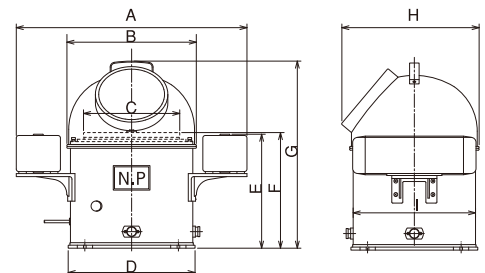
## T-130VD / VF T-130VB

Illumination lamp: 24VDC

Deviation correctors: B,C,D and Heeling error

Flinders bars: available for T-150IIF & T-130VF

Type approval: DOT (except for T-130VB) and RRR



Model	Card dia	Illumination	W (mm)	D (mm)	H (mm)	Weight	Type approval
T-150IIF	150mm	on bottom	460	288	390	11 kg	DOT, RRR
T-130VD	130mm	on bottom	430	230	352	6.3 kg	DOT, RRR
T-130VF	130mm	on bottom	430	250	352	6.3 kg	DOT, RRR
T-130VB	130mm	on top	430	230	352	6.3 kg	RRR

# Boat Compass



Wooden Box Compass

Model	Card dia	Card lighting	Box size	Weight
B-75S	75 mm	-	163mm sq. x H 73mm	1.3 kg
B-100S	100mm	-	203mm sq. x H 110mm	2.2 kg
B-130S	130mm	-	230mm sq. x H 120mm	3.0 kg
B-150N	150mm	-	277mm sq. x H 145mm	5.9 kg



Brass Binnacle Compass

Model	Card dia	Card lighting	Binnacle size	Weight
P-75L	75 mm	03, 12 or 24VDC	173mm dia. x H 190mm	1.3 kg
P-100S	100mm	24VDC	206mm dia. x H 245mm	2.2 kg
P-130S	130mm	24VDC	248mm dia. x H 260mm	3.0 kg
P-150N	150mm	24VDC	294mm dia. x H 305mm	5.9 kg



**B-75LA**  
Lifeboat Compass

Type approval: DOT  
Card dia.: 75mm  
Card illumination: 24VDC  
Mounting: double gimbaled bracket mount



**HB65G II**  
Handbearing Compass

Card dia.: 65mm  
Graduation: 0 – 360° in 2 deg

An aiming and slitted right angle prism fitted on the verge ring for ease of taking bearings of objects.

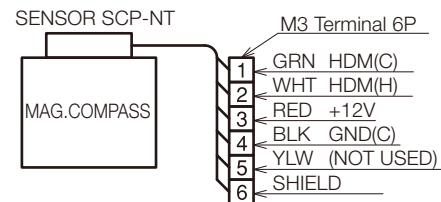
## Transmitting Heading Device

TMC Sensor



SCP-NT provides magnetic compass heading reference by serial data in NMEA format for direct connection to navigational instruments. Mounted on top surface of a magnetic compass, it is free from interference from the correcting magnets beneath the compass bowl. Inner trim control allows output off-set adjustment by  $\pm 10^\circ$

Power supply : 12 – 15VDC  
Current drain : 120mA typical  
Output sentence : HDM or HDT (selectable)  
Output cycle : 200mS average (fixed)



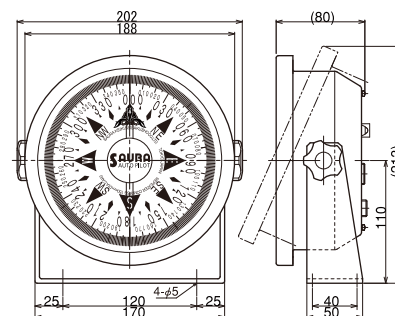
No.3,4 & 2(1) wires to be connected to Nav. Equipment

Repeater Compass



Large easy to read 150mm dia. card with very smooth cog-free movement  
Light in weight and low profile design  
Back-lit illumination with dimmer control  
Unlimited number of slave repeater connections  
Direct connection to NMEA TMC sensor without interface  
Flush mount model is also available (NRC-150P)

Power supply : 13.8 – 30VDC  
Current drain : 200mA nominal, 400mA (max)  
Heading input : Sine/Cosine, Saura format signal  
NMEA-HDT or HDM  
Heading output : NMEA-HDT or HDM, Sine/Cosine



Specifications to change without prior notice

Distributed by:

Manufactured by:

**Saura Keiki Seisakusho Co., Ltd.**

Steering reliability since 1916

www.saura.jp

339-1 Ohkubo-Ryoke, Sakura-ku, Saitama 338-0825, Japan

Overseas enquiries, please contact:

Tel: +81 3 3256 8549 Fax: +81 3 3256 8540